

Häfele Maxi up

For lids made of wood or with aluminium frame



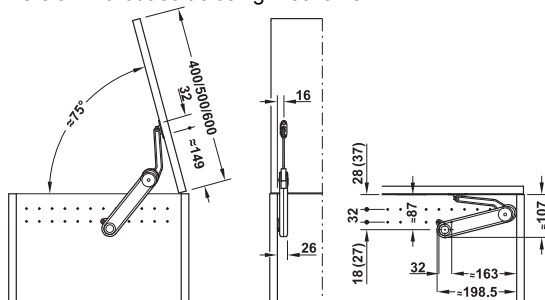
5



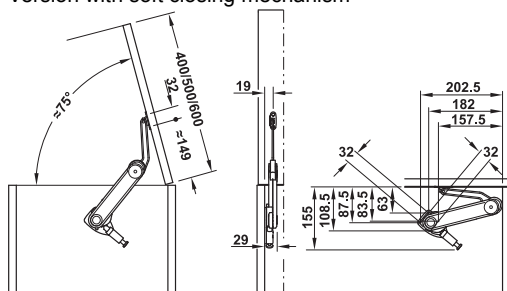
Lid Stays

Installation

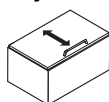
Version without soft closing mechanism



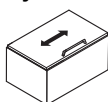
Version with soft closing mechanism



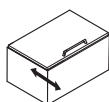
Adjustment facility



Height adjustment*



Side adjustment*



Tilting angle adjustment*



Holding power adjustment

* depending on the hinges that are used

- > Opening angle: Approx. 75°
- > Material: Stay: Zinc alloy, mounting brackets and screw-on brackets: Steel, safety cap for adjusting screw: Plastic
- > Finish: Nickel plated, safety cap: Grey,
- > Colour: Adjusting screw, model F: Blue, adjusting screw, model G: Brown, adjusting screw, model H: Black
- > Installation: Without tools (clip system) onto pre-mounted mounting bracket

Sample measurements table for max. lid weight

Lid depth mm	Lid weight kg		
	Model F	Model G	Model H
1 lid fitting			
400	1.6–3.1	3.0–5.3	5.2–9.4
500	1.3–2.6	2.5–4.2	4.3–7.5
600	1.1–2.5	2.3–4.2	4.0–6.7
2 lid fittings			
400	3.2–6.2	6.6–10.6	10.4–18.8
500	2.6–5.2	5.0–8.4	8.6–15.0
600	2.2–5.0	4.6–8.4	8.0–13.4

Model	Cat. No.
F	373.85.700
G	373.85.701
H	373.85.702

Packing: 1 piece

Order reference

Mounting brackets and screw-on brackets are not supplied. Please order separately. Soft closing mechanism available for the lid (optional).

Soft closing mechanism

► MB 5.230

→ Mounting bracket for cabinet



- > Area of application: For fixing the lid stay to the cabinet
- > Material: Steel
- > Finish: Nickel plated

	Cat. No.
For edge distance (cabinet) 37 mm	373.69.906
For edge distance (cabinet) 28 mm	373.69.907

Packing: 1 or 20 pieces

→ Screw-on bracket for lid



- > Area of application: For fixing the lid stay to the lid, for lids made of wood or with aluminium frame 45 mm
- > Material: Steel
- > Finish: Nickel plated

Installation	Cat. No.
For Euro screws	373.66.036
For chipboard screws	373.66.681
With slide-on clip, for Euro screws	373.69.908
With slide-on clip, for chipboard screws	373.69.912

Packing: 1 piece

DGH-M 2021, HDE-en, 11/20; Dimensional data not binding. We reserve the right to alter specifications without notice.